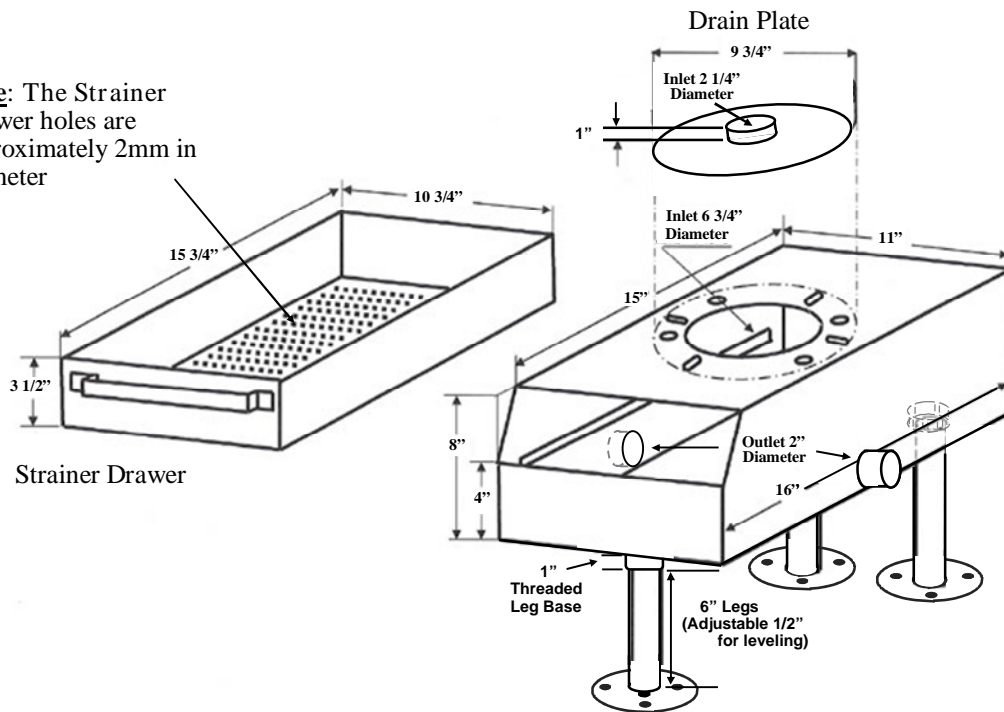


# The Drain Strainer™ SOLID PROTECTION™

## Compact Installation Instructions

**Note:** The Strainer Drawer holes are approximately 2mm in diameter



- 1) Screw the three 6" legs into the bottom of the housing.
- 2) Attach the drain plate (if desired) to the top of the housing through the pre-drilled holes with the supplied bolts and screws.
- 3) Connect one 2" outlet on the side of the unit to the drain where the water will exit The Drain Strainer with plumbing pipes. Seal off the other unused outlet with the supplied rubber cap.
- 4) Level the unit by adjusting the flanged feet of the legs.
- 5) Bolt the flanged feet to the floor for extra stability if desired.

For additional technical support call The Drain Strainer at (417) 893-0737 or find us on the web at [TheDrainStrainer.com](http://TheDrainStrainer.com)