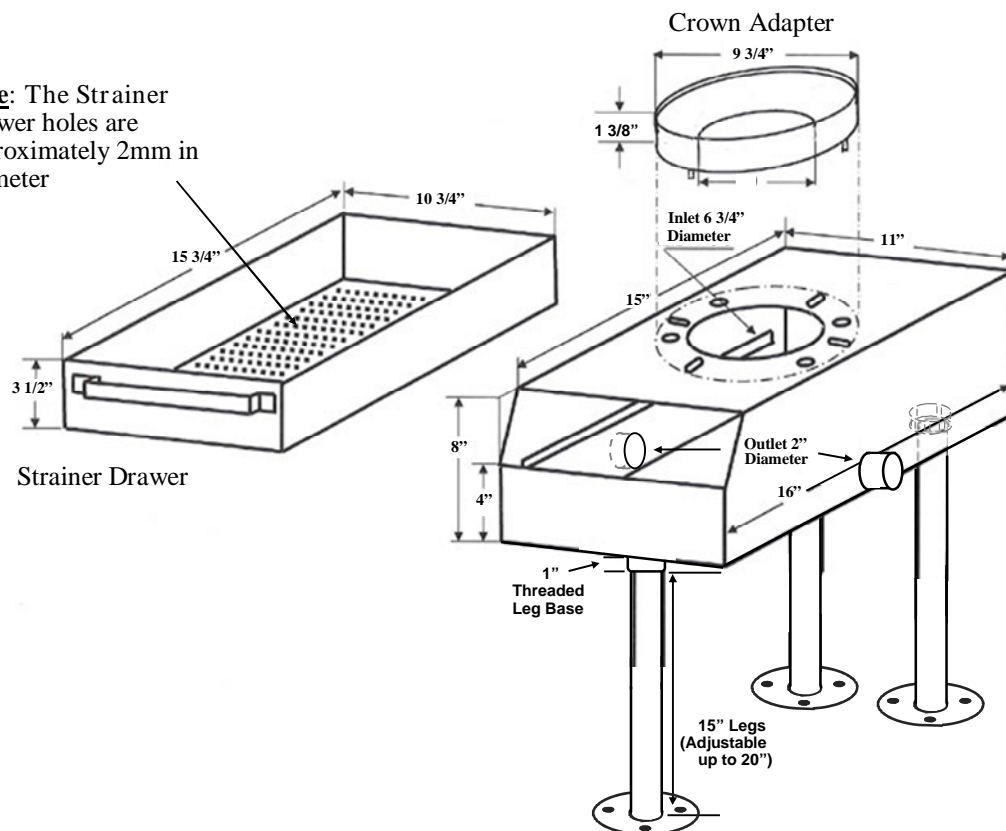


The Drain Strainer™

SOLID PROTECTION™

XL Installation Instructions

Note: The Strainer Drawer holes are approximately 2mm in diameter



- 1) Determine the height for where water will enter The Drain Strainer XL inlet.
- 2) Screw the three adjustable legs into the bottom of the housing.
- 3) Attach the crown adapter (if desired) to the top of the housing through the pre-drilled holes with the supplied bolts and screws.
- 4) Raise the unit by adjusting the legs to the desired height.
- 5) Connect one 2" outlet on the side of the unit to the drain where the water will exit The Drain Strainer XL with plumbing pipes. Seal off the other unused outlet with the supplied rubber cap.
- 6) Bolt the flanged feet to the floor for extra stability if desired.

For additional technical support call The Drain Strainer at (417) 893-0737