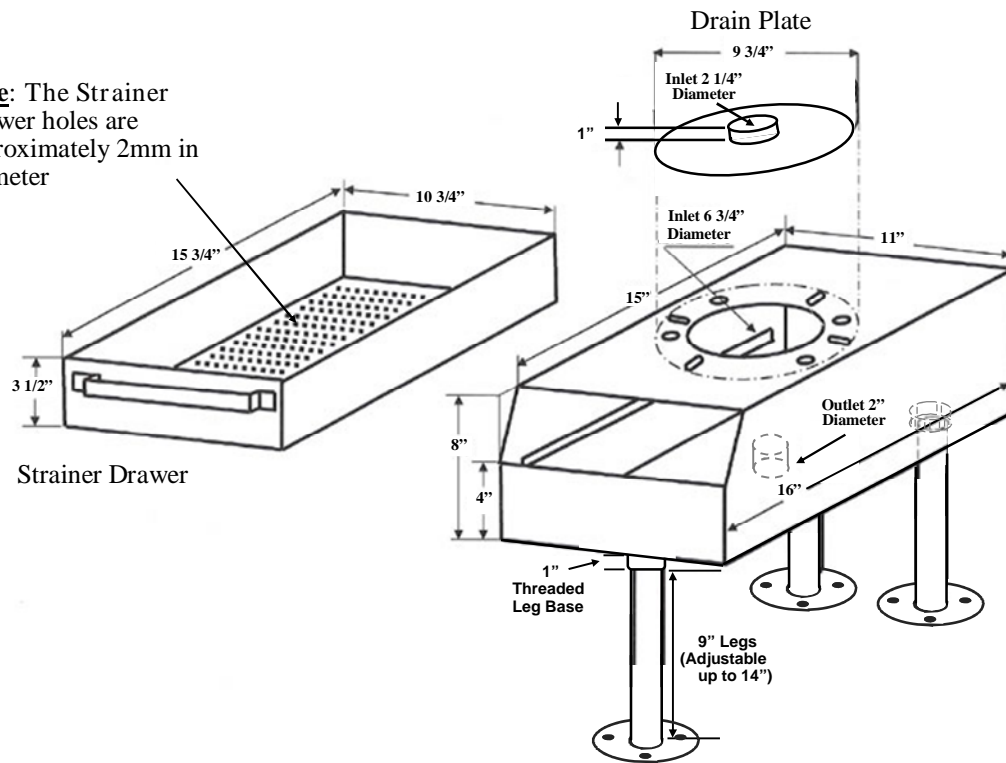


The Drain Strainer™ SOLID PROTECTION™

Drain Plate Installation Instructions

Note: The Strainer
Drawer holes are
approximately 2mm in
diameter



- 1) Determine the height for where water will enter The Drain Strainer inlet.
- 2) Screw the three adjustable legs into the bottom of the housing.
- 3) Attach the drain plate (if desired) to the top of the housing through the pre-drilled holes with the supplied bolts and screws.
- 4) Raise the unit by adjusting the legs to the desired height.
- 5) Connect the 2" outlet on the bottom of the unit to the drain where the water will exit The Drain Strainer with plumbing pipes.
- 6) Bolt the flanged feet to the floor for extra stability if desired.

For additional technical support call The Drain Strainer at (417) 893-0737
or find us on the web at TheDrainStrainer.com